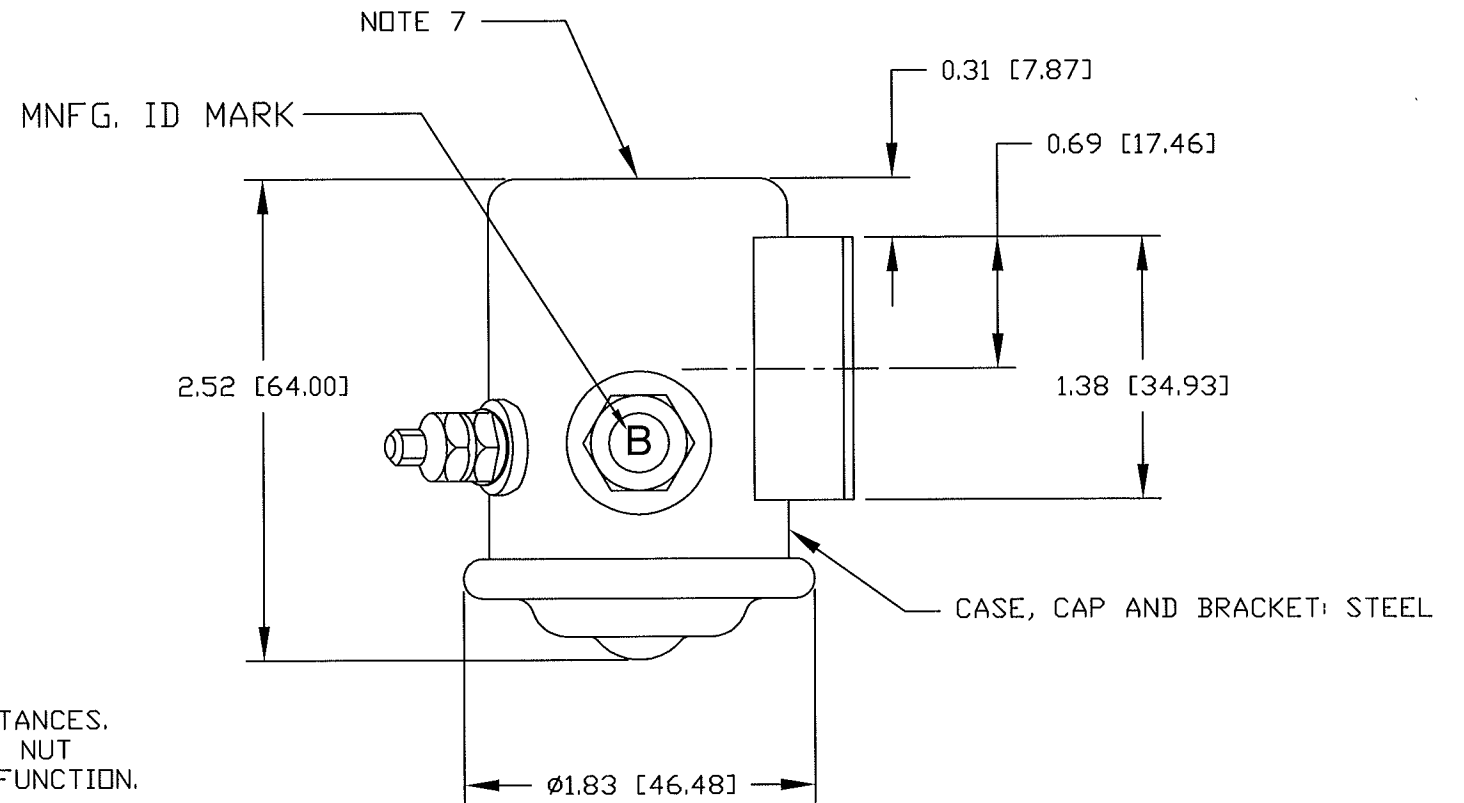
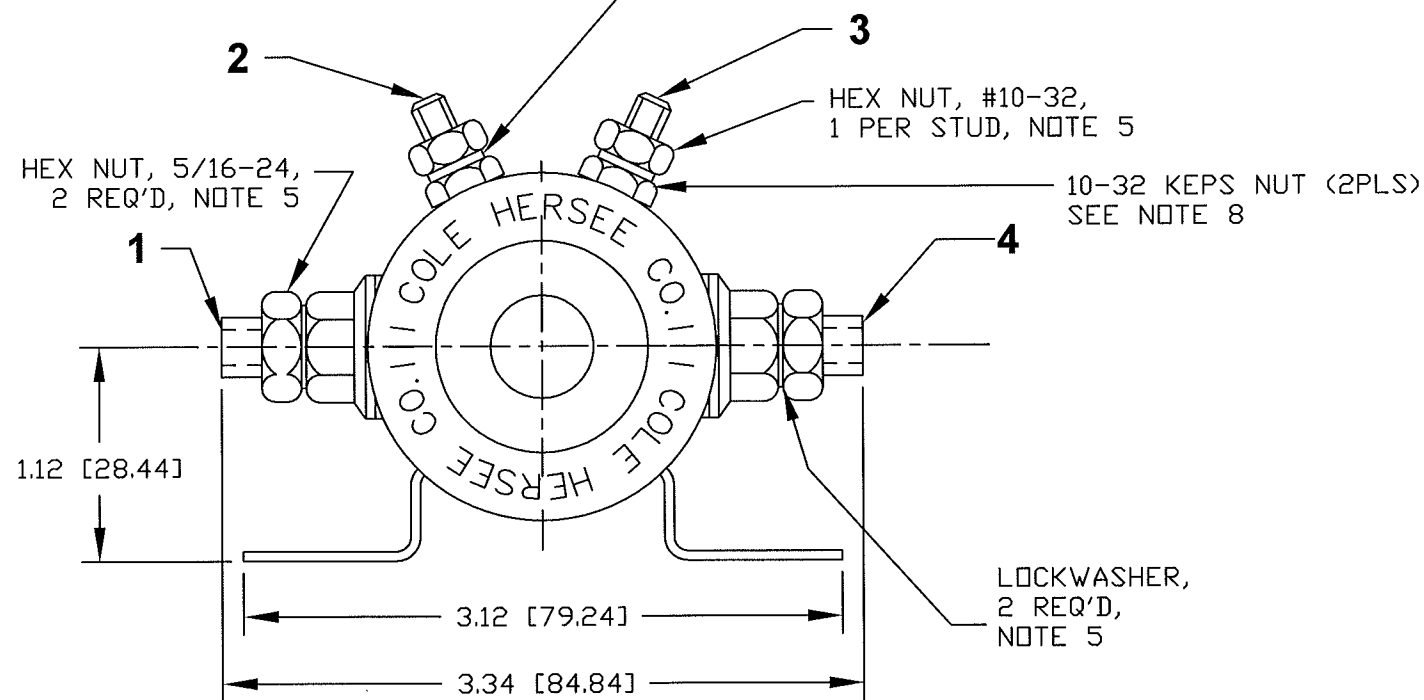


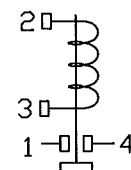
THIS KEPS NUT (2PLS) IS TIGHTENED AT THE FACTORY TO THE PROPER SPECS AND MUST NOT BE LOOSENED OR REMOVED UNDER ANY CIRCUMSTANCES. REMOVING OR LOOSENING THIS NUT WILL CAUSE PRODUCT TO MALFUNCTION. SEE NOTE 8



LOCKWASHER, 1 PER STUD, NOTE 5



SCHEMATIC



- NOTES:
1. ALL STEEL PARTS PLATED.
 2. ALL DIMENSIONS ARE REFERENCE ONLY UNLESS OTHERWISE SPECIFIED
 3. ELECT. RATING: 200A @ 12Vdc, CONTINUOUS. COIL RESISTANCE: 17.5 OHMS.
 4. MAX TORQUE FOR CUSTOMER APPLIED NUTS TO BE: #10-32= 15 IN-LBS (1.69 N.m); 5/16-24= 35 IN-LBS (3.95 N.m)
 5. HARDWARE WILL BE BAGGED AND SHIPPED LOOSE.
 6. ALL CONTACTS ARE SILVER LAMINATED.
 7. PART NUMBER, DATE CODE & VOLTAGE INK STAMPED ON BOTTOM OF SOLENOID
 8. 5/16 AND 10-32 KEPS NUTS MUST NEVER BE REMOVED OR LOOSENED. THEY ARE FACTORY-TORQUED TO PROPER SPECS.

Revision Control Record				Rev.	Description of Change	ECN No.	Date	Tolerances Unless otherwise specifically noted, the following are default tolerances:		PROPRIETARY INFORMATION This Engineering Drawing, and the information contained herein, is proprietary to Cole Hersee Company and may not be disclosed, re-produced, or in any other way transferred or communicated to any other party without the express written consent of an authorized representative of Cole Hersee Company.		Special Characteristics:		Cole Hersee Co. 20 Old Colony Ave., South Boston, MA, 02127 Phn: 617-268-2100 Web: www.colehersee.com	
Rev.	Description of Change	ECN No.	Date					2-places +/- 0.02"	3-places +/- 0.005"	Angular +/- 1'	<input type="checkbox"/> CC	<input checked="" type="checkbox"/> Significant Characteristic relating to Process Control	<input type="checkbox"/> KC	Control Dimension relating to Form - Fit - Function as defined by Cole Hersee Company and/or the Customer	Description: SOLENOID, N/O, 12V
A	NEW NUMBER RELEASE	11200	6/27/11												24213
								FORM CHT-6 (2/07)	Used On or Ref.: 24143	Scale: 1:1	Drawn BY: G.Auguste	Date Drawn: 6/27/11	Pg. 1 of 1	Drawing / Part No.:	Current Rev. A