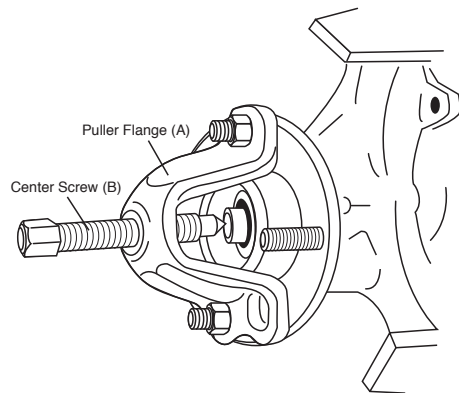


HUB PULLER & INSTALLER

To remove and install most front wheel drive hubs for servicing of wheel bearings, CV joints or transaxle.

To remove hub:

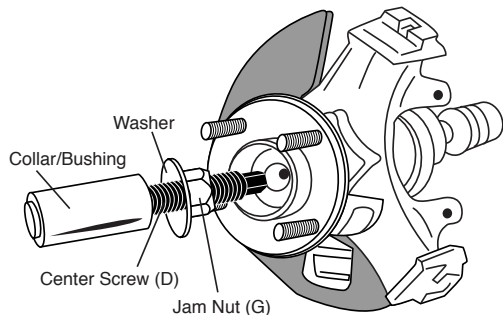
1. With vehicle still on the ground, break loose the front hub nut and lug nuts.
2. Safely support vehicle on jack stands and remove wheel and front hub nut.
3. Remove caliper and rotor from disc brake applications and suspend caliper with a wire or position it on a suitable stand so that the brake hose will not be stretched.
4. Remove any hub/bearing retaining bolts.
5. Position the puller flange (A) over the wheel studs, so that the center screw (B) aligns with the center of the axle shaft.
6. Loosely attach the puller flange (A) to the hub using the vehicle lug nuts.
7. Rotate the center screw (B) clockwise while maintaining alignment with the center of the spindle.
8. Tighten down the lug nuts to secure puller flange (A) to the hub.
9. Remove the hub by continuing to tighten the center screw (B) until the hub is free.



To install hub:

Note: Hub installer is necessary for vehicles with interference fit spline axle shafts as found on the Ford/Mercury, Taurus/Sable, Escort/Lynx, Tempo/Topaz, Contour/Mystic and 1992 and newer Ford Probe and others.

1. Carefully fit the hub/bearing and seal assembly over the halfshaft splines.
2. Thread the hub installer onto the splined shaft by rotating the center screw (D) of the installer clockwise. Tighten down using a suitable wrench or socket.
3. Position a pry bar between two hub bolts to use as a lever to prevent the hub from turning during installation.
4. Tighten the jam nut (G) while holding the pry bar until the hub is completely pressed into position.
5. Torque front hub nut to manufacturer specifications.



Replacement parts:

W89725-5	Puller Flange	W89324-4	Center Screw for Installer (small)
W89324-1	Center Screw for Puller	W89324-5	Installer Collar/Bushing (large)
W89324-2	Locknut for Puller	W89324-6	Installer Collar/Bushing (small)
W89324-3	Center Screw for Installer (large)	W89324-7	Washer for Installer
		W89324-8	Installer Jam Nut