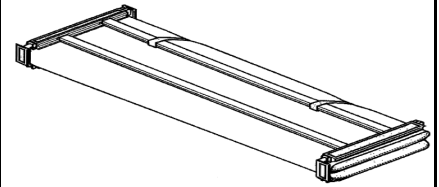




Soft and Hard Tri-Fold Tonneau Covers



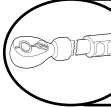
THE TRAIL FX TRIFOLD TONNEAU COMES FULLY ASSEMBLED



REMOVE CONTENTS FROM BOX. VERIFY ALL PARTS ARE PRESENT.



READ INSTRUCTIONS CAREFULLY BEFORE STARTING INSTALLATION.



DO NOT OVER TORQUE. STANDARD OPERATING LOAD FOR TIGHTEN BODY MOUNT NUTS & BOLTS VARIES FROM 45 TO 65 FOOT POUND.



10-15 min



Cutting Not Required



Drilling Not Required



support@trailfx.com



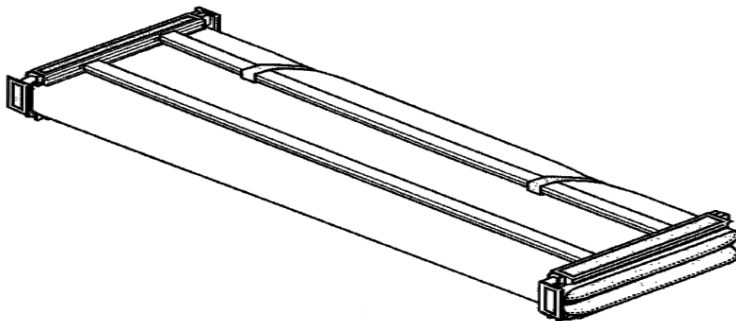
1 866 638 4870



Limited Lifetime

PARTS LIST:

Qty	Part Description	Qty	Part Description
1	Soft and Hard Trifold	1	Installation instructions



Soft and Hard Trifold

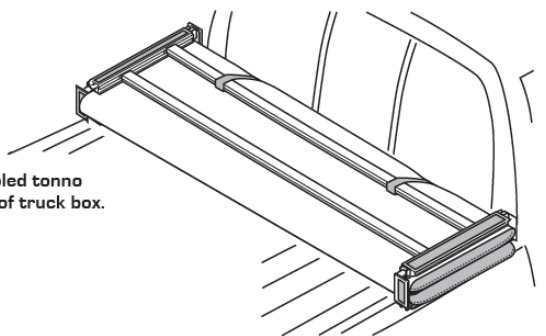


Installation Instructions

INSTALLATION PROCEDURE

STEP 1

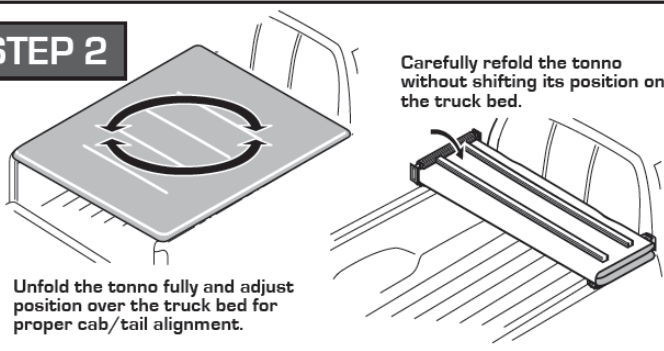
Place assembled tonno over cab end of truck box.



STEP 2

Unfold the tonno fully and adjust position over the truck bed for proper cab/tail alignment.

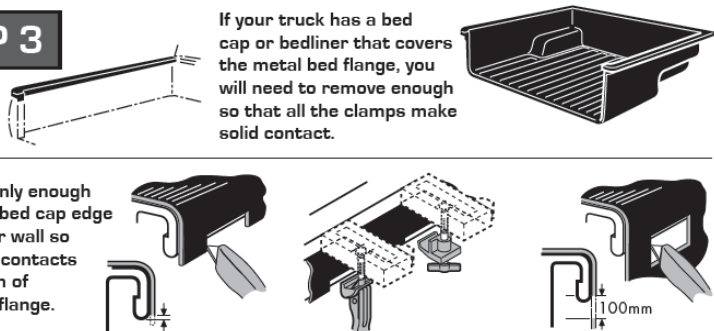
Carefully refold the tonno without shifting its position on the truck bed.



STEP 3

If your truck has a bed cap or bedliner that covers the metal bed flange, you will need to remove enough so that all the clamps make solid contact.

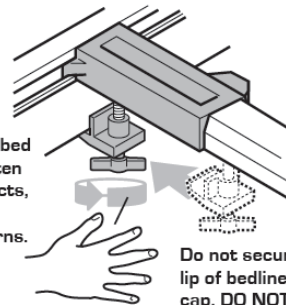
Trim only enough of the bed cap edge or liner wall so clamp contacts bottom of metal flange.



STEP 4

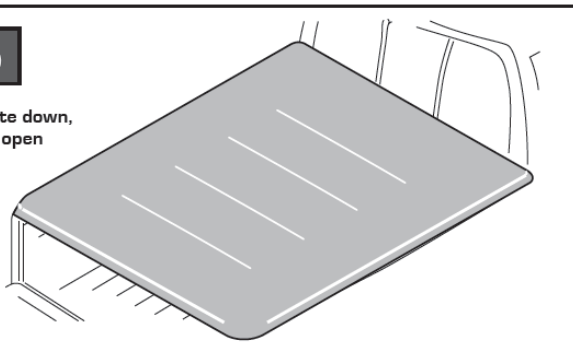
Ensure clamp is positioned under bed flange. Hand tighten until clamp contacts, then tighten an additional two turns.

Do not secure to only lip of bedliner or wall cap. DO NOT Use Wrench or Overtighten!



STEP 5

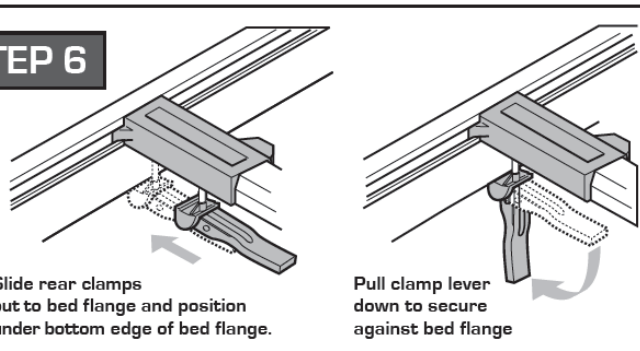
With tailgate down, completely open the tonno cover.



STEP 6

Slide rear clamps out to bed flange and position under bottom edge of bed flange.

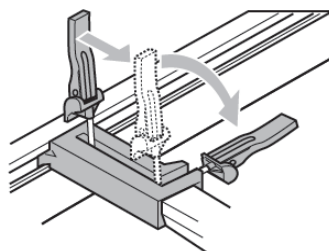
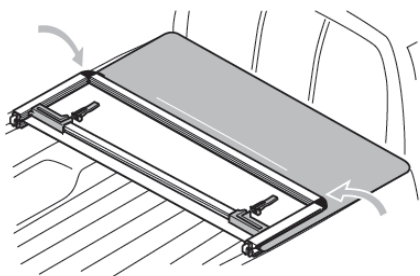
Pull clamp lever down to secure against bed flange



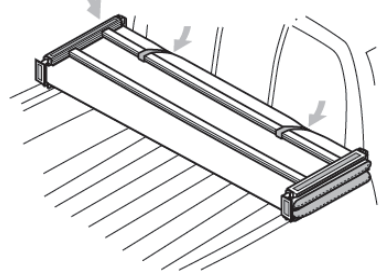
STEP 7

It is very convenient to drive with the Tri-Fold Tonno open. Release the rear clamps and fold the tonno forward.

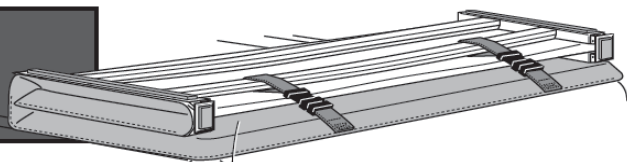
Fold the tonno forward and fasten the straps in the middle section to front rail



IMPORTANT: Before folding the second section of tonno, rear clamps must be stowed into rail to prevent damage to fabric. FAILURE TO STOW HANDLE WILL PUNCTURE TARP AND VOID WARRANTY.



NOTE: Tarp can not be removed from aluminum frame. Attempting to do so will cause damage and void the warranty. Remove any snow or foreign matter before folding over.



PRODUCT CARE

Failure to follow these care instructions will void warranty:

- Clean with soap and water only.
- Do not use any vinyl conditioners that contain silicone or petroleum as these products may crack and shrink the vinyl.
- Cover must be secured at all points when vehicle is in motion. An unsecured cover can result in damage not covered by this warranty.
- Do not overload cargo. Protrusions in the tarp will stress the fabric.

WARRANTY COVERAGE - LIMITED LIFETIME

- A) The full hardware kit including rails, clamps, and bows are warranted for the lifetime of ownership by the original consumer Purchaser.
 B) The Tarp has a 10 year warranty for the original purchaser.

FAQ's

- 1. How difficult will it be to install tonneau cover?**
 Installing of tonneau cover is easy, Please follow the steps mentioned in installation manual carefully
- 2. Is Tonneau cover is washable?**
 Yes, it is washable same as your truck.
- 3. How to clean tonneau cover tarp?**
 To clean tonneau cover tarp, Please use Mild car washing soap and a medium brush.
- 4. Will the tonneau cover scratch my paint?**
 No, Please follow the Instruction manual carefully, to avoid scratch on paint.
- 5. Tonneau cover will obstruct tailgate opening and closing?**
 All of the soft tonneau covers allow full, unobstructed use of tailgate without having to open the cover.
- 6. Tonneau cover will work in winter?**
 Yes, it will work, as tonneau cover fabric will not shrink in cold temperatures.
- 7. Missing / Excess Hardware.**
 Recheck hardware count as per the part list.
- 8. Product not installing properly.**
 Ensure make model year, cab length and bed size of your vehicle is listed in the application. All installation steps are followed correctly.

Check out these other TrailFX Products!!

www.TrailFX.com



Keystone Automotive Operations Inc. (KAO) warrants this product to be free of defects in material and workmanship at the time of purchase by the original retail consumer. KAO disclaims any other warranties, express or implied, including the warranty of fitness for a particular purpose or an intended use. If the product is found to be defective, KAO may replace or repair the product at our option, when the product is returned prepaid, with proof of purchase. Alteration to, improper installation, or misuse of this product voids the warranty. KAO's liability is limited to repair or replacement of products found to be defective, and specifically excludes liability for any incidental or consequential loss or damage.